



# Tiptoe Pump

Mk.4 GP1309

## Read carefully before installation and use.

### To the Fitter

Check that the product is suitable for the intended application, follow installation instructions and ensure operating instructions are passed on to the end user.

### To the User:

Read the following instructions carefully.

### Application:

This product is designed for use as a fresh water foot pump in caravans and boats. Use for any other purpose or with any other liquid, is not recommended and is entirely at the user's risk.

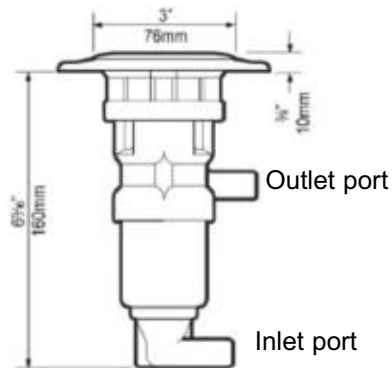
The Whale Tiptoe can be used as a manual back-up with an electric pump provided that:

1. It is not a pressurized system.
2. It is placed between the inline electric pump and the water supply.

### Installation

Choose an installation where the pump can be operated comfortably.

1. Cut a 3" (75 mm) diameter hole in the floor.
2. Floor thickness: minimum 3/8" (10 mm), maximum 2" (50 mm).
3. One piece assembly fits directly onto floor.
4. Secure with 3 screws.



### Operation:

1. Release plunger plate by twisting anti-clockwise.
2. Pump up and down with your foot; vigorously for full flow, gently for controlled flow.
3. When pumping is finished, push the plunger fully down, twist clockwise to lock.



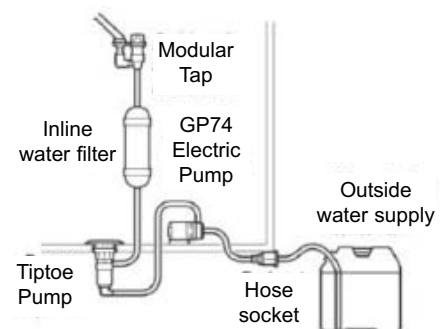
### Maintenance

Regular inspection of valves and seals is recommended with cleaning and replacement of components as necessary. Service kit AK1304 is available from dealers.

**Note:** For winter storage, ensure that the pump is drained completely to avoid frost damage.

### Helpful hints

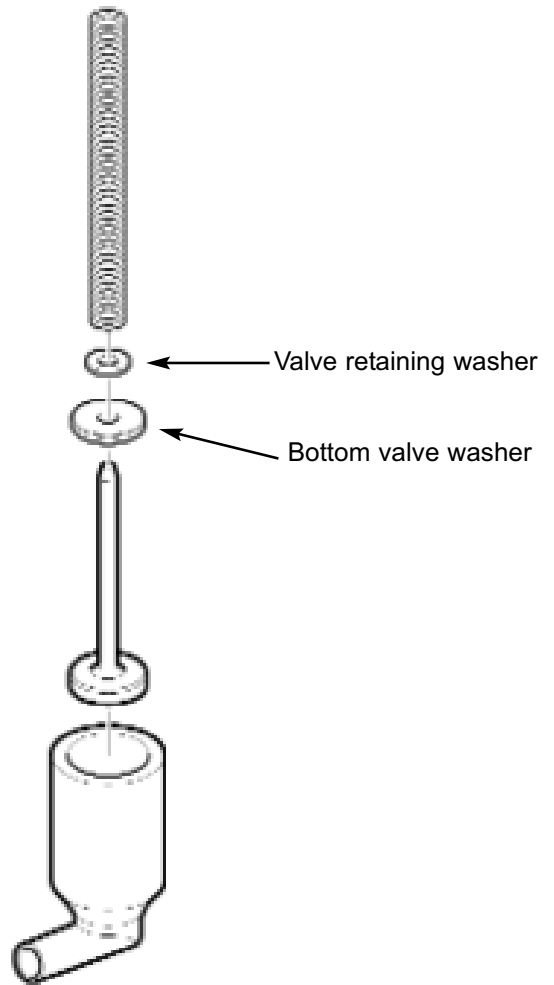
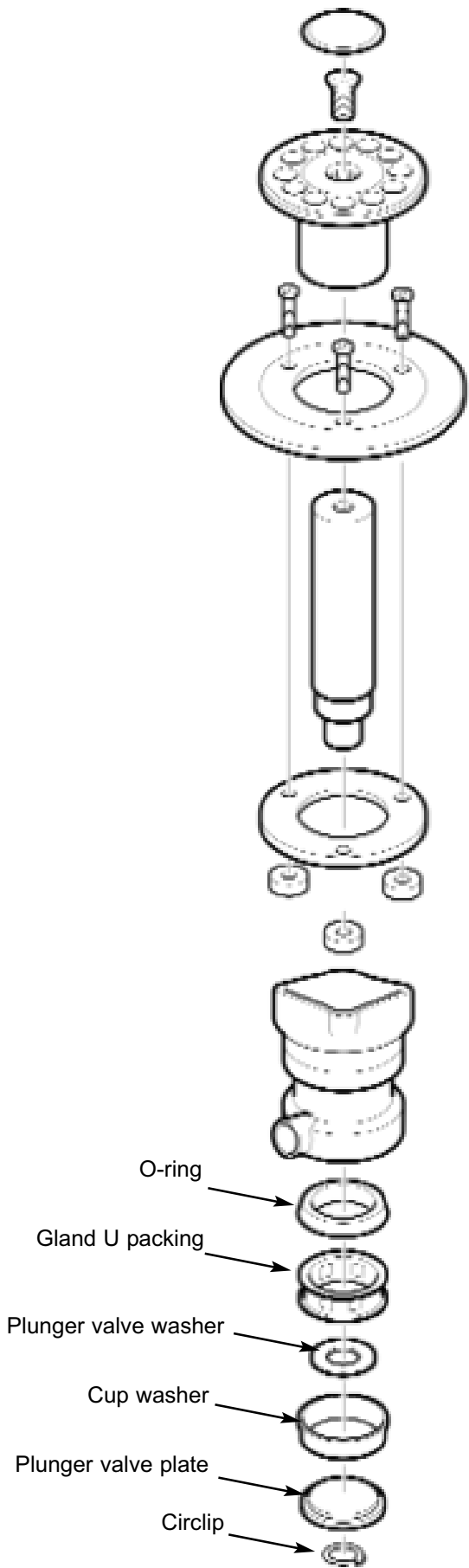
- a) The pump can be serviced using Service Kit AK1304 which contains the complete set of washers for the Mk3 and Mk4 pump.
- b) If the pump is slow to prime, the cup washer may be worn or valves are not seating properly. Check and replace these if necessary using Service Kit AK1304.
- c) If the pump will not pump:
  - check that the suction line is in the water.
  - check that the hose connections are secure and there are no air leaks.
  - check the washers in the pump, they may need to be replaced.- if the outlet is an on/off faucet or tap, make sure that it is open to allow water to flow.
- d) If the pump is leaking, it is likely that the gland washer is worn. A replacement for this part is contained in Service Kit AK1304.



### Warranty

This Whale product is covered by 5 years warranty. Please see the enclosed document for details of our statement of limited warranty.

Contained in Service Kit AK1304



**Munster Simms Engineering Ltd**

2 Enterprise Road, Bangor, N. Ireland Tel: +44 (0)28 9127 0531 Fax: +44 (0)28 9146 6421  
Web: [www.whalepumps.com](http://www.whalepumps.com) Email: [info@whalepumps.com](mailto:info@whalepumps.com)